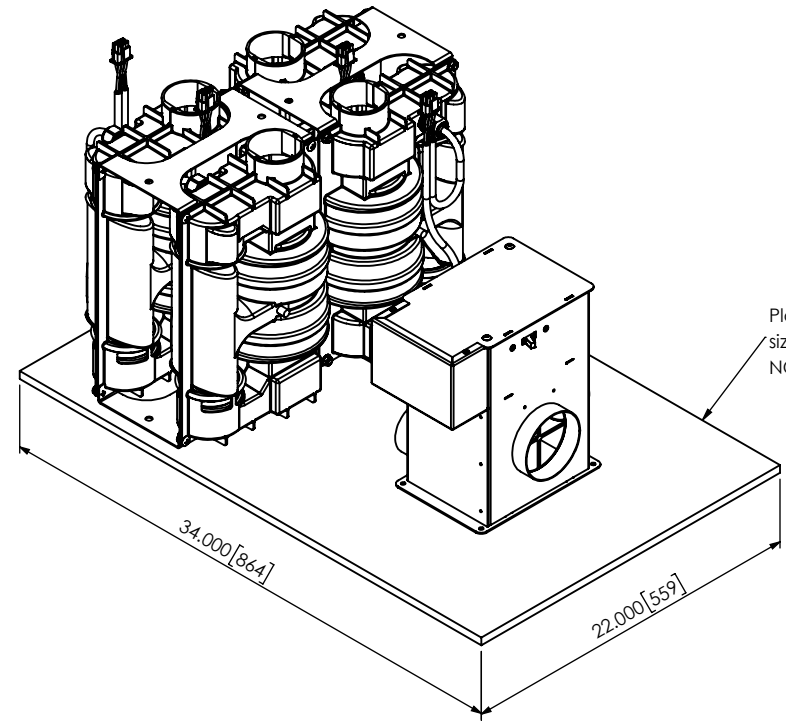
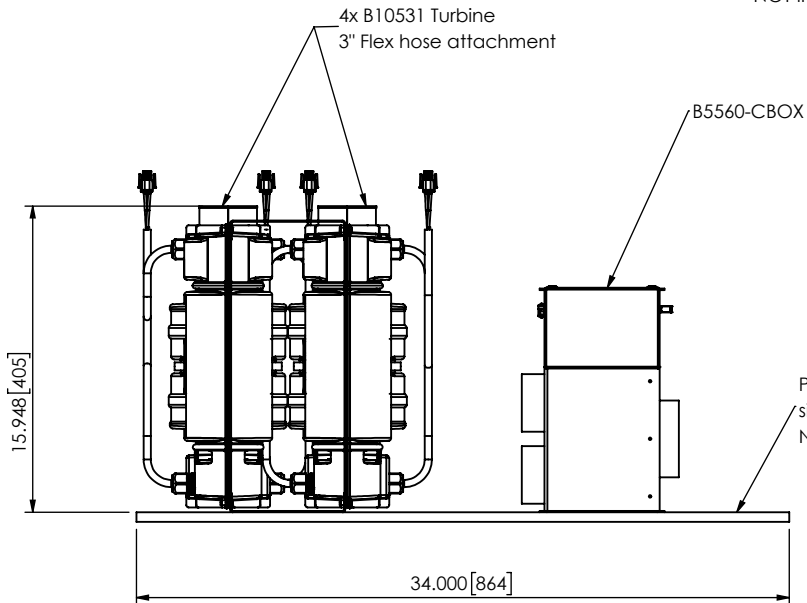


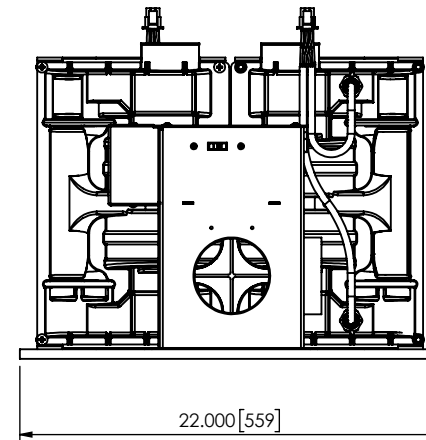
Platform shown for size reference ONLY NOT INCLUDED



Platform shown for size reference ONLY NOT INCLUDED



Platform shown for size reference ONLY NOT INCLUDED



Platform shown for size reference ONLY NOT INCLUDED

Approximate weight: 75lbs

Note: Adequate space required all around box and turbine packs for hose and wire connections. Layout shown for reference only, components can be rearranged to fit available space.

est. 1967 HAMILTON CUSTOM MADE SECURITY	PROPRIETARY AND CONFIDENTIAL THESE DRAWINGS ARE THE PROPERTY OF HAMILTON SAFE CO. AND SHALL NOT BE REPRODUCED, COPIED, USED AS THE BASIS FOR MANUFACTURE OR SALE OF APPARATUS WITHOUT PERMISSION		TITLE HA33 Turbine Assembly	
			PART NUMBER B5560	
DRAWN BY BilDef	DATE 12/17/2020	CHECKED BY	DATE	REVISION